

**VAIA BAR TAP Single-lever mixer - Chrome**

VAIA

33 805 809



- 167mm projection
- pivotable spout 360°
- air-enriched flow
- max. flow 7 l/min at 3 bar flow pressure
- lead-free
- This product can help a building meet the requirements of Green Building Rating Systems, e.g. LEED®, BREEAM®, DGNB

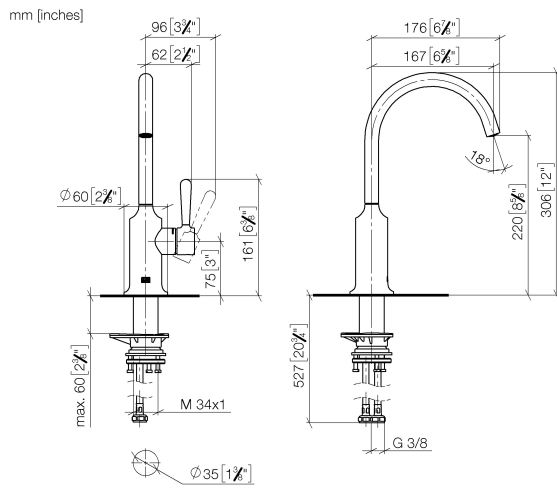
|   |                               |               |
|---|-------------------------------|---------------|
|    | Chrome                        | 33 805 809-00 |
|    | Brushed Platinum              | 33 805 809-06 |
|    | Platinum                      | 33 805 809-08 |
|    | Durabrass (23kt Gold)         | 33 805 809-09 |
|    | Dark Chrome                   | 33 805 809-19 |
|    | Brushed Durabrass (23kt Gold) | 33 805 809-28 |
|    | Matte Black                   | 33 805 809-33 |
|    | Brushed Champagne (22kt Gold) | 33 805 809-46 |
|    | Champagne (22kt Gold)         | 33 805 809-47 |
|   | Brushed Chrome                | 33 805 809-93 |
|  | Brushed Dark Platinum         | 33 805 809-99 |

**Recommended miscellaneous**

**VAIA Dispenser with rosette - Chrome**      82 434 809-00



33 805 809



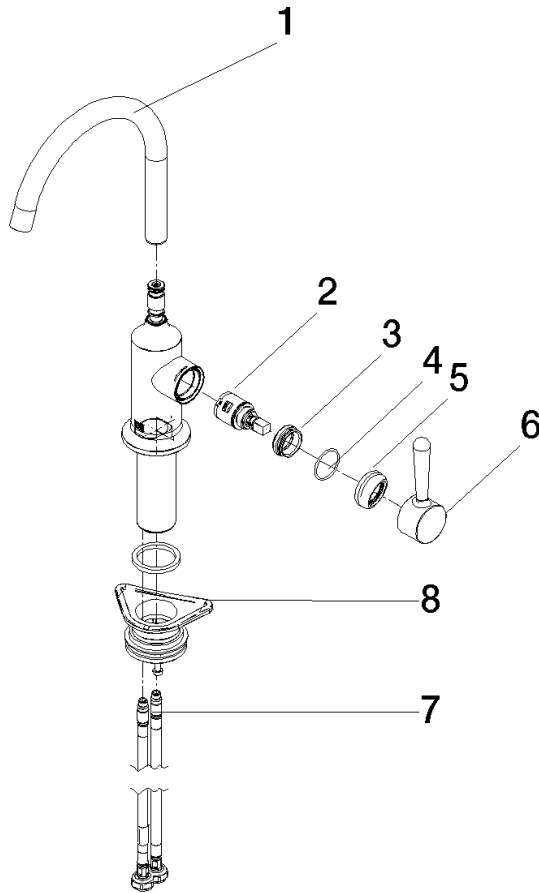
Flow rate chart



Certificates

LGA\_29299.

33 805 809



### Spare parts list

| No. | Item Number        | Name       | Quantity used | Delivery time |
|-----|--------------------|------------|---------------|---------------|
| 1   | 90 28 22 311 02-00 | spout      | 1             | 10            |
| 2   | 90 15 05 042 00 90 | cartridge  | 1             | 2             |
| 3   | 09 24 04 266 90    | nut        | 1             | 2             |
| 4   | 09 14 10 091 90    | seal       | 1             | 2             |
| 5   | 90 28 30 052 00-00 | cover      | 1             | 10            |
| 6   | 90 20 80 050 00-00 | handle     | 1             | 10            |
| 7   | 04 30 04 100 00 90 | hose       | 2             | 2             |
| 8   | 04 23 10 044 08 90 | fixing set | 1             | 2             |